

# DENFORD

## MRC 40

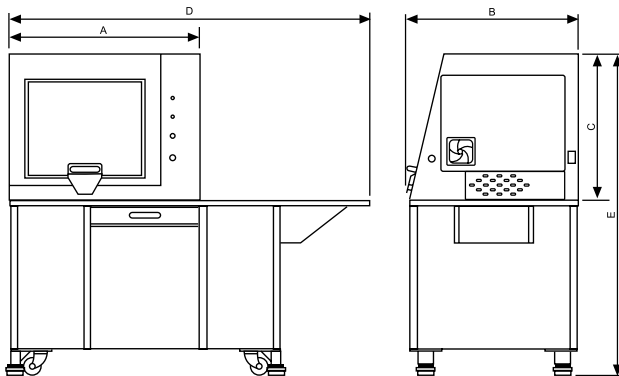
VERSATILE, AFFORDABLE ROUTER, MILLER & ENGRAVER



**QUALITY, PRECISION,  
MAINTENANCE FREE  
ROUTING**

For full details - See page 9

Shown with optional universal bench and  
computer support extension.  
(PC not included)



Machine Dimensions.

Denford's high-spec / low-cost solution for all your routing, milling and engraving needs. The MRC 40 has a powerful 500W spindle motor and offers high speed manufacture linked with a large working envelope. This versatile machine handles small engraving jobs, and the large working envelope and Z axis capability (110mm) is perfect for the manufacture of large 3D designs. Set-up and tool changes are a simple process, and the MRC 40 has a host of optional extras for specialist applications.

**CE**  
APPROVED

Ideal for use in conjunction with

**IN SCHOOLS**

Prices are correct at time of printing, but may be subject to revision.  
Prices shown are exclusive of carriage charges & VAT

## MRC 40

### THE MRC 40 COMES AS STANDARD WITH:

- VR CNC Milling Operating Software (PC not included)
- Powerful 500W High Speed Spindle
- Sacrificial Table
- Outlet for Dust Extraction System
- 8mm and 1/4" Collets
- Installation and Instruction Manuals
- USB Connection

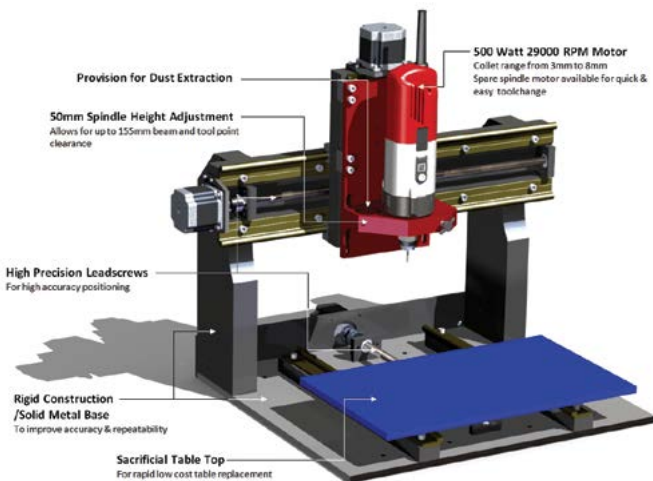
### OPTIONAL EQUIPMENT INCLUDES:

The MRC 40 is available with everything you need to get you up and running immediately. In addition, there is a full range of optional items.

- Resources Pack (including a variety of 2D, 3D & engraving tooling and drill bits, foam & acrylic billets, double-sided tape)
- QuickCAM 2D Design Software
- QuickCAM PRO Software
- Aluminium T-Slot Table and Clamping Kit (factory fitted)
- F1 in Schools Car Manufacturing Fixture (only available when T-Slot Table fitted)
- Spare Spindle Motor Assembly for quick tool change
- Vacuum Pads x 2 with Integral Pump
- Floating Head for PCB Manufacture
- Universal Machine Bench & Computer Support Arm

### RECOMMENDED SOFTWARE PROGRAMS

Please refer to Compact 1000 PRO - see page 13.



Please note, diagram for illustration purposes only.

### SYSTEM REQUIREMENTS

Please refer to page 27.

### SEAMLESS IMPORT OF TECHSOFT 2D DESIGN FILES:

The import routine with Denford's VR CNC Milling V5 operating software works with Techsoft 2D Design Tools Versions 1 & 2 and also with ALL major CAD packages. It is far more advanced than the Techsoft post-processor, supplied with Techsoft Version 1 and is far simpler to use.

ALL Denford machines operating with VR CNC Milling V5 are able to import designs drawn in Techsoft Versions 1 & 2, saved in DXF format, **without any additional software or post processor being required.**

VR Milling V5 has the facility to import DXF, DWG and Gerber files, which then allows multiple toolpaths to be created. The toolpaths are generated using the vector data imported and not colours, fill or line width.

MECHANICAL DETAILS	MRC 40
Machine Length (A)	875mm
Machine Depth (B)	750mm
Machine Height (C)	675mm
Length with Optional Base (D)	1600mm
Height with Optional Base (E)	1440mm
Machine Weight	113kg
Machine Weight with Opt. Base	227kg
Table Size	400 x 240mm
Travel X Axis	400mm
Travel Y Axis	240mm
Travel Z Axis	110mm
Beam Clearance (max work height)	155mm
Max. Spindle Speed	29000rpm
Feed Override	0 - 150%
Max. Feed Rate	5000mm/min
Max. 3D Profiling	4500mm/min
Mains Supply Requirements* [* Alternative supplies available on request]	Single Phase
Spindle Motor	500 Watts
Axes Motors	Stepper
Volts	230 Volts
Amps	5 Amps
Hz	50 Hz
Electric Connection	13 A Socket